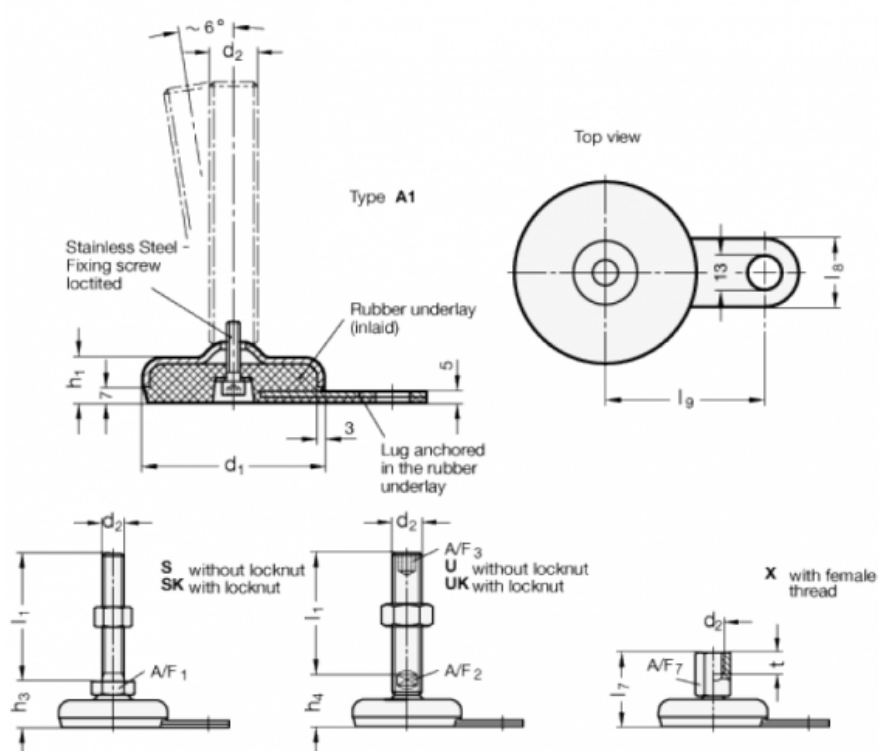


Article number: 2032100M1250A1X  
 Description: E+G levelling foot  
 GN 32-100-M12-50-A1-X  
 Note: X With female thread, External hexagon

## Measures



A/F7	=	17
d1	=	100
d2	=	M12
h1	=	21
l7	=	50
l8	=	30
l9	=	80
t	=	12